



Provider of Quality Switches

since 1975

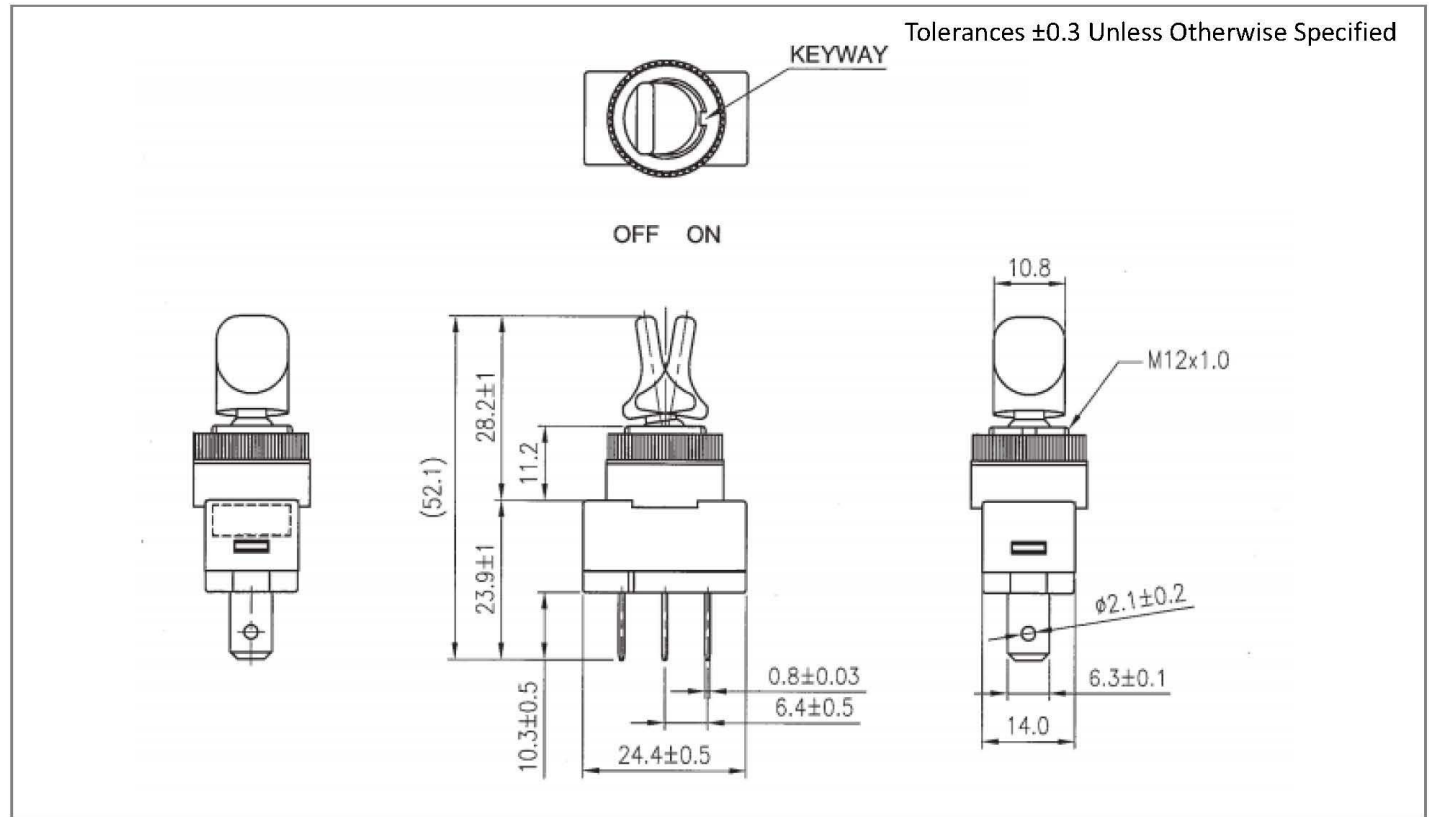
WEBSITE K4SWITCHES.COM

E-MAIL INFO@K4SWITCHES.COM

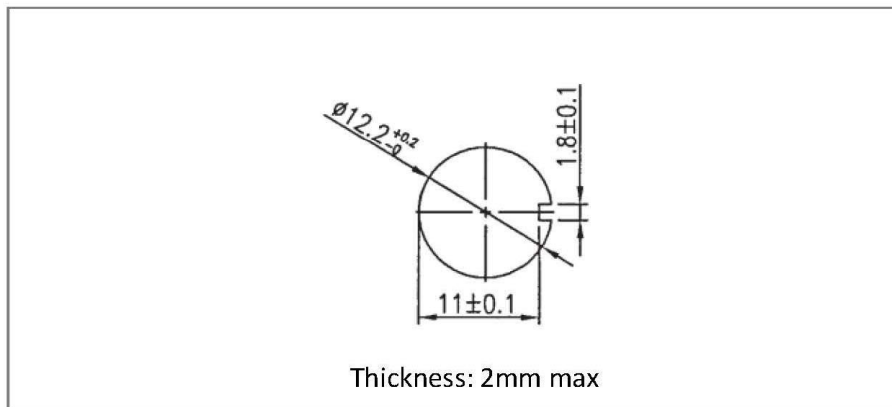
PHONE 619-445-4103

TOLL FREE 833-755-3687

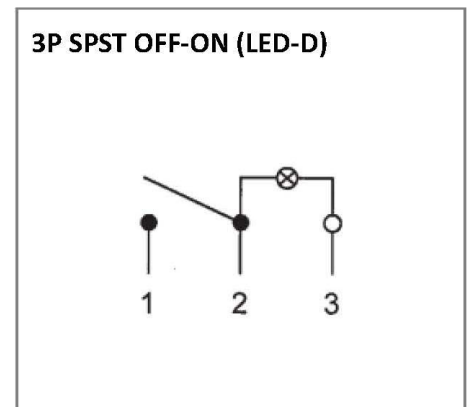
Mechanical Dimensions (mm)



Mounting Hole



Circuit Diagram



Electrical Specifications

Rating	20A 12V DC
Contact Resistance	50m ohm Max.
Insulation Resistance	DC 500V 100M ohm Min.
Dielectric Strength	AC 1500V 1 minute
Operation Temperature	-25°C~85°C

Material Specifications

Frame	Black, PC
Base	PBT, Black
Handle	PC,
	Bulb dependent